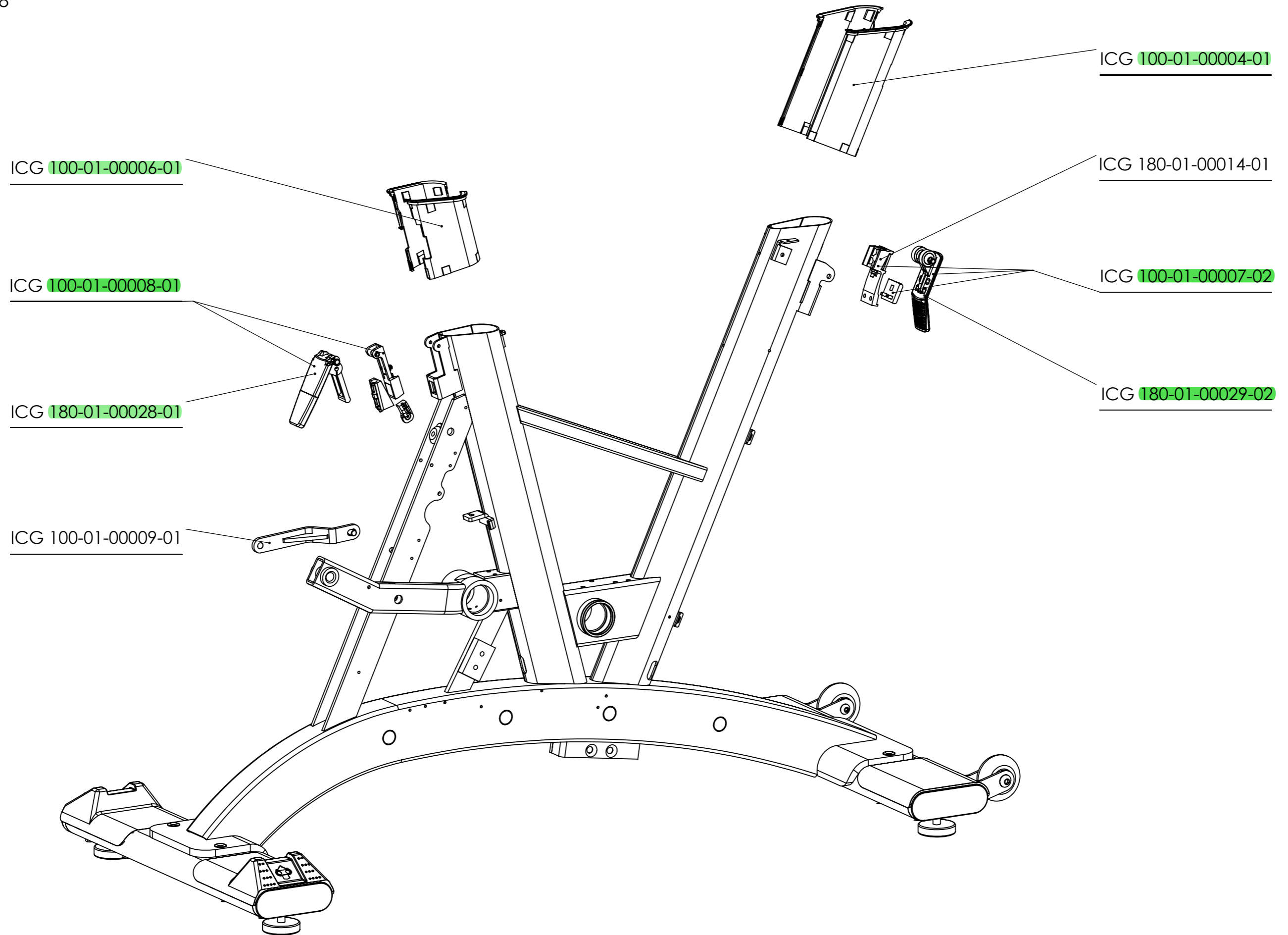
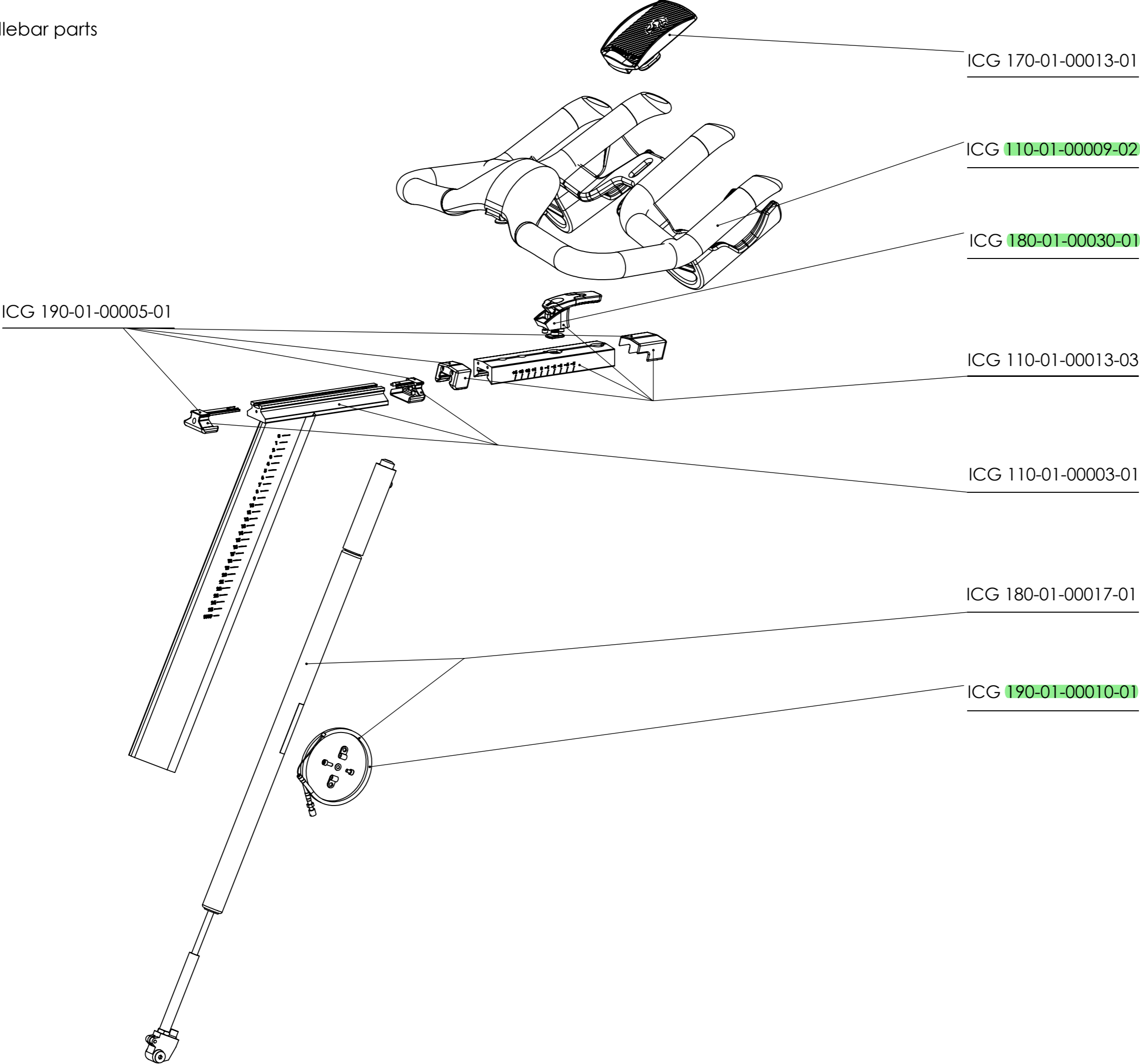
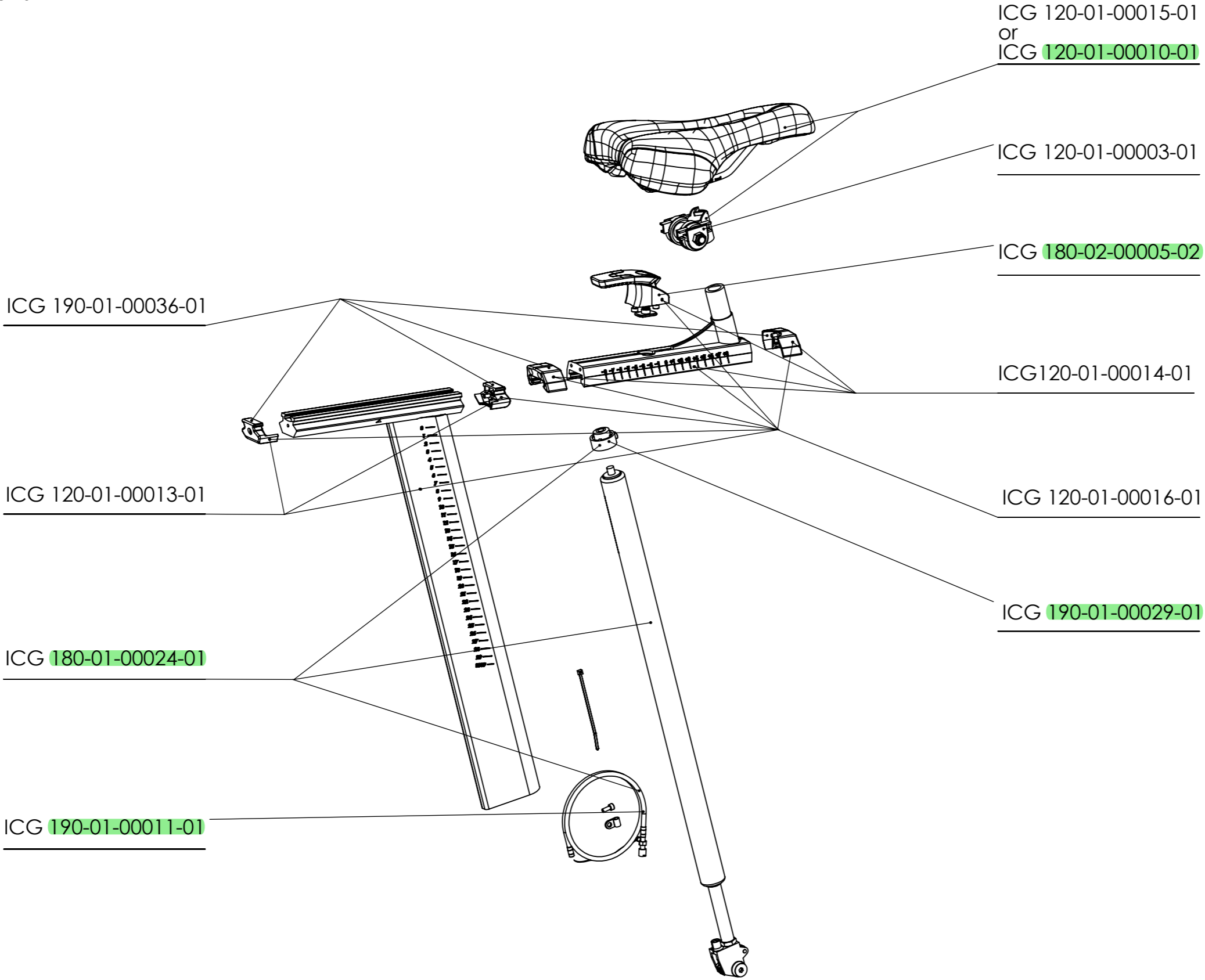


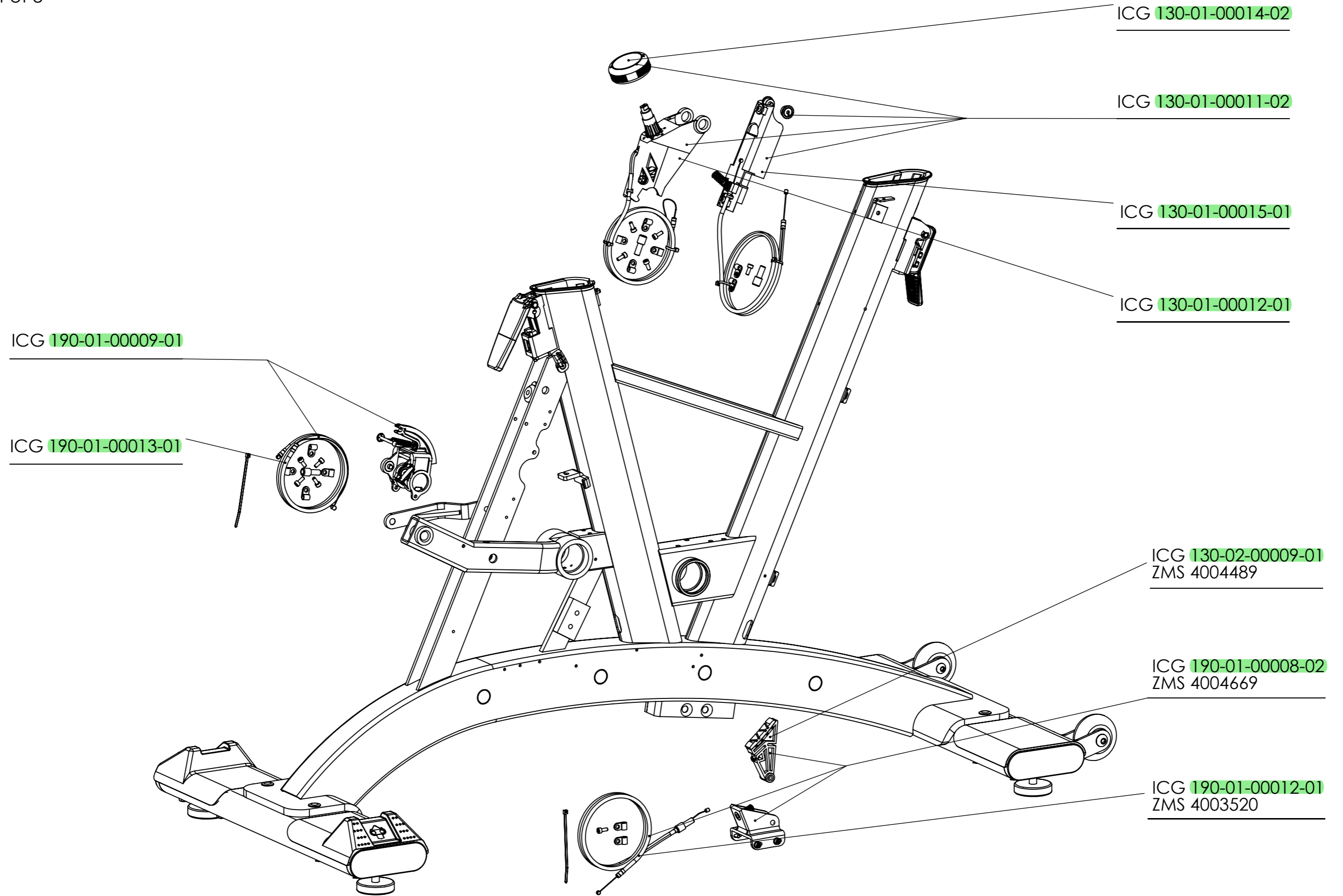
Exploded Diagram for IC5-02

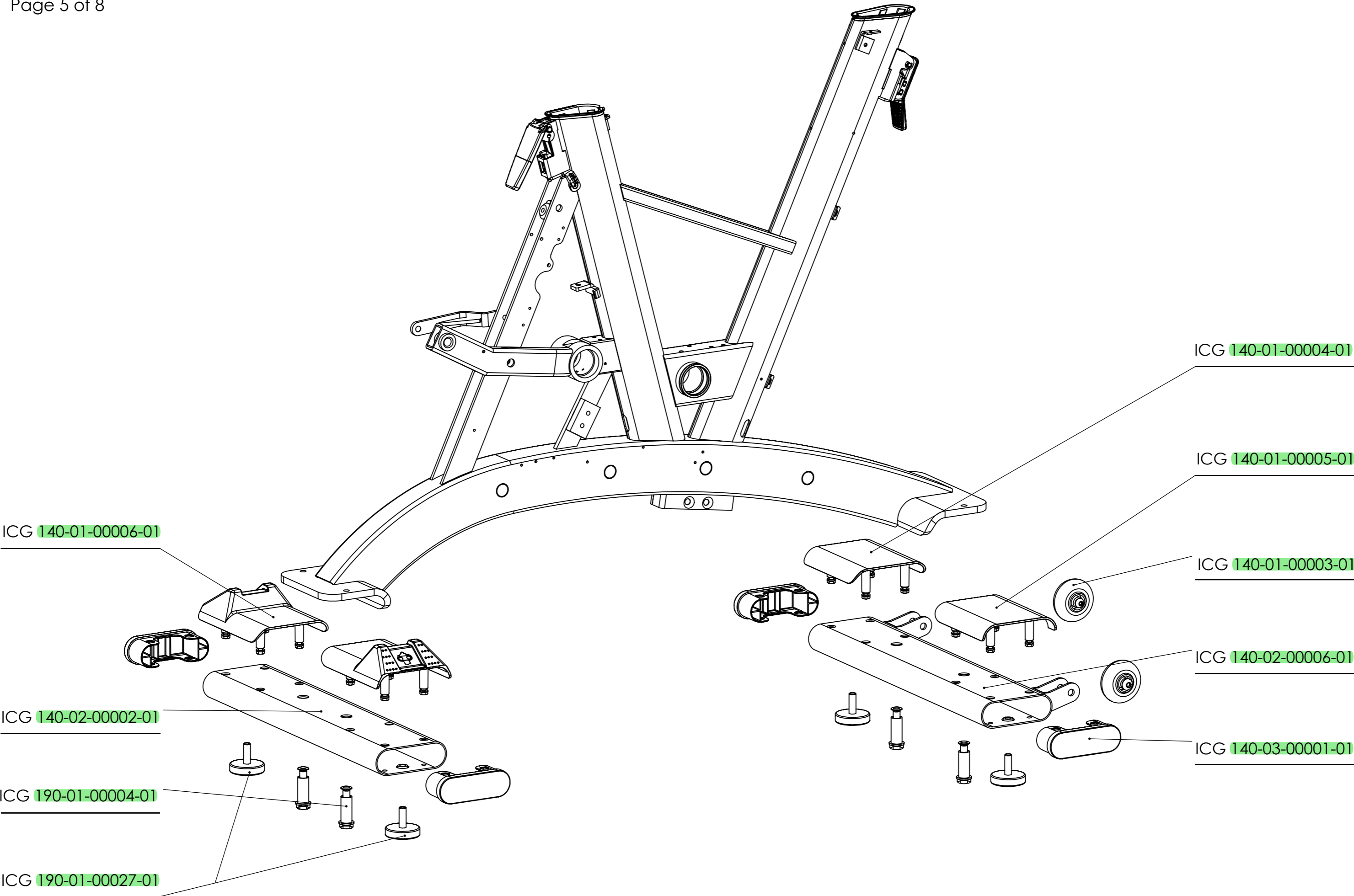
Use for serial numbers LAQB...A15C to LAQB...A15I











ICG 150-03-00054-01

ICG 150-01-00025-01

ICG 150-01-00005-02

ICG 900-00-90008-20

ICG 150-01-00021-01

ICG 150-03-00059-01

ICG 150-01-00022-02

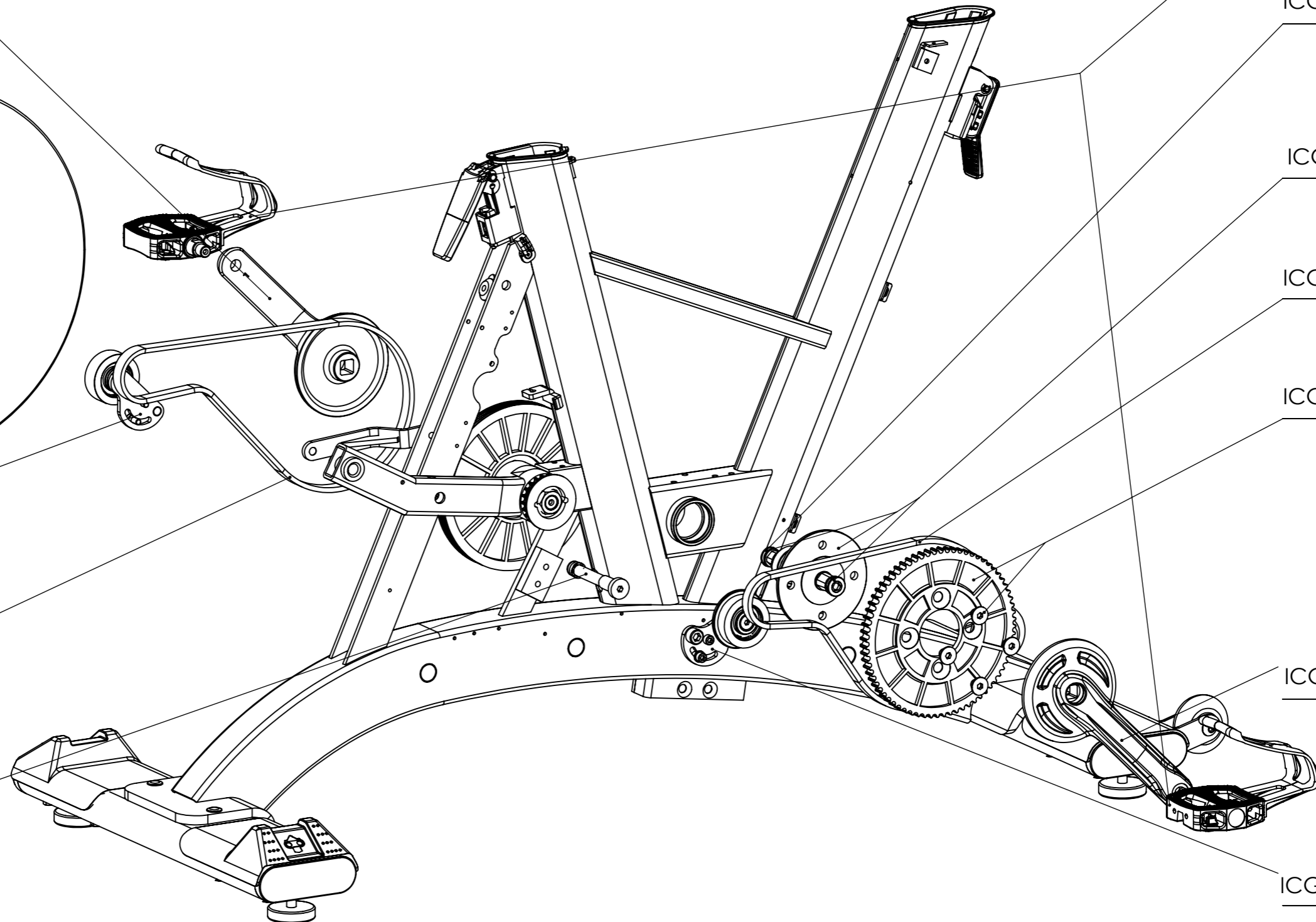
ICG 150-01-00018-01

ICG 150-03-00044-01

ICG 150-03-00053-01

ICG 150-01-00024-01

ICG 150-01-00016-02



ICG 160-01-00009-01

ICG 160-01-00008-01

ICG 160-01-00007-01

ICG 160-09-00004-01

ICG 160-09-00005-01

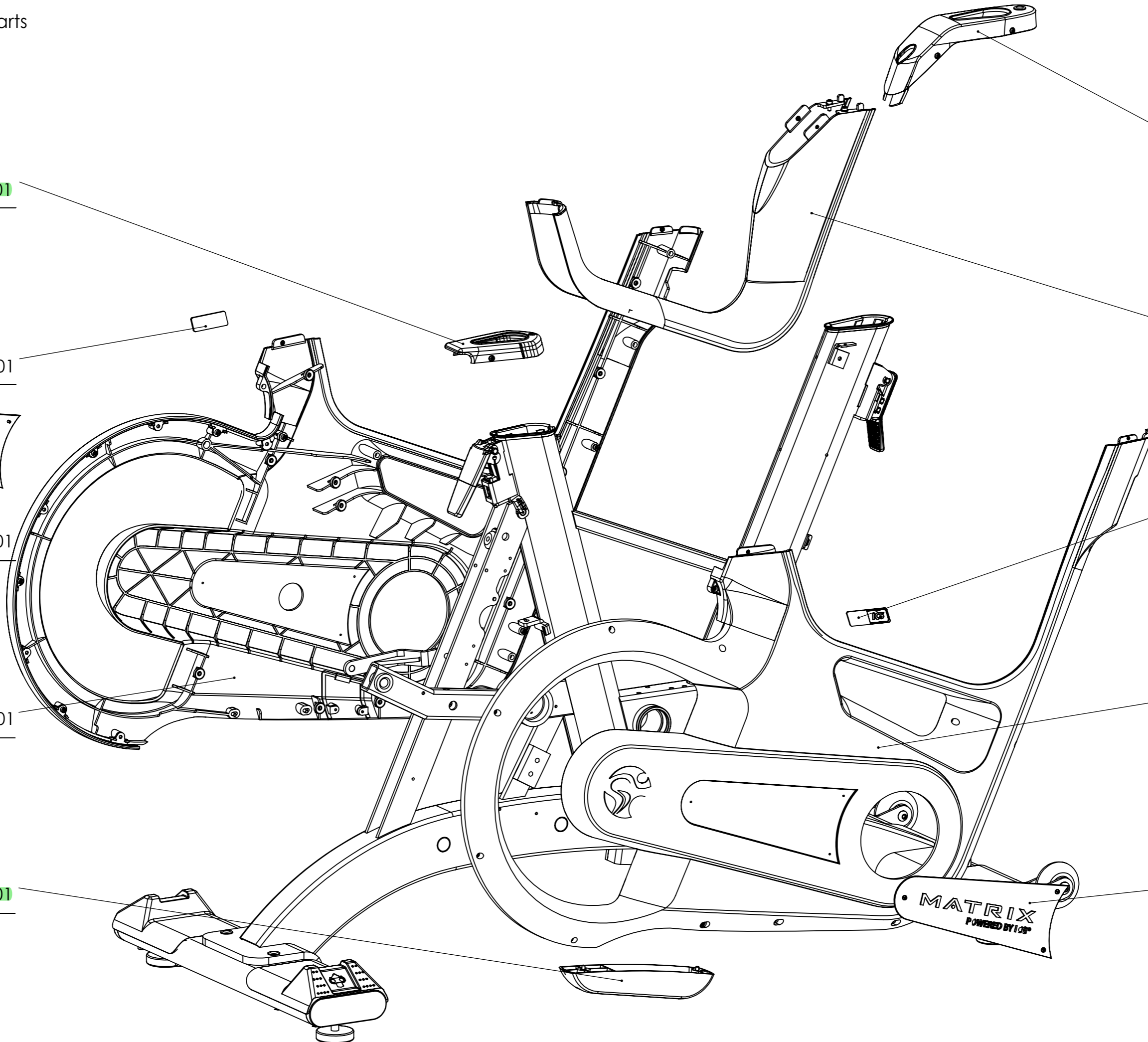
ICG 160-01-00012-01

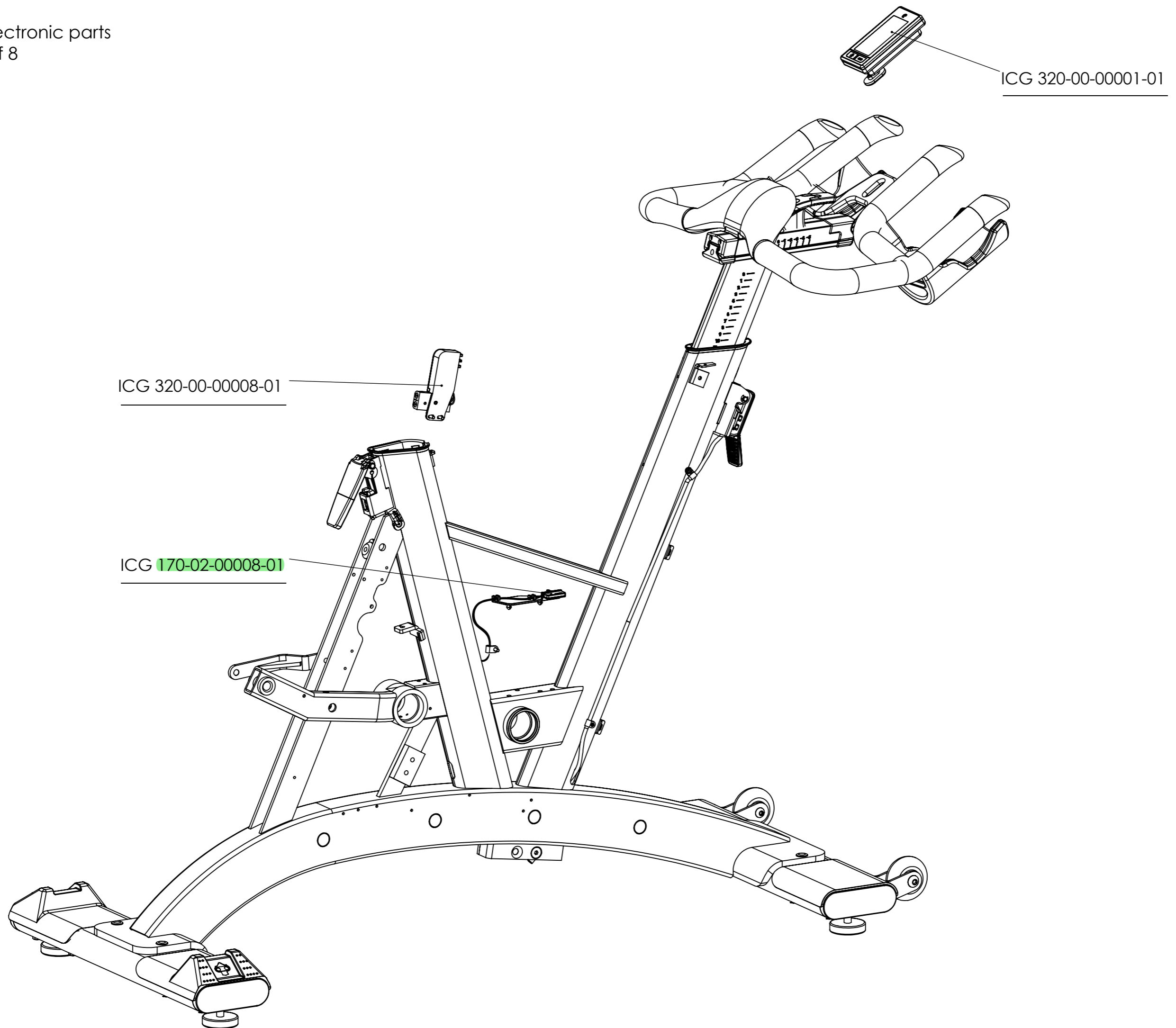
ICG 160-01-00004-01

ICG 160-01-00006-01

ICG 160-01-00013-01

ICG 160-01-00014-01





Reference Number	Part #	Description	Notes
	1000352780	Service Tool Set;;IC5/IC7;;;Star type sc	Includes four screwdrivers: 2mm, 2.5mm, 3mm, and No. 25 Torx.
100-01-00004-01	ZMS4003458	INLAY SLEEVE HANDLEBAR TUBE ASSEMBLY	
100-01-00006-01	ZMS4003456	INLAY SLEEVE SEATPOST TUBE ASSEMBLY	
100-01-00007-02	ZMS4004676	VERTICAL HANDLEBAR ADJUSTMENT ASSEMBLY -	
100-01-00008-01	ZMS4003460	VERTICAL ADJUSTMENT SEATPOST	
100-01-00009-01	ZMS4003457	LEFT FLYWHEEL SUPPORT ARM KIT	
110-01-00003-01	ZMS4008801	UP H-BAR SLIDER & STEM ASSY	
110-01-00009-02	ZMS4006089	IC7 HB Screw M10X25X1.5P CSHSB	Screws for handlebar ZMS4004116 Handlebar with soft PVC coating 30MM mounting pitch and mounting bolts. Handlebar screws are available individually: ZMS4006089
110-01-00009-02	ZMS4004116	30MM Handlebar	
110-01-00013-03	ZMS4005410	UPPER HANDLEBAR SLIDER ASSEMBLY W & O CO	
120-01-00003-01	ZMS3000410	Tomahawk-Saddle mounting Bracket for E-S	
120-01-00005-01	ZMS4003473	LOWER VERTICAL SEATPOST ASSEMBLY	
120-01-00006-01	ZMS4004076	R SP SLIDER, SHORT MOUNT TUBE, 70MM, IC5	
120-01-00010-01	ZMS4005406	SPORT SADDLE BLACK & RED INCL. SADDLE CL	(If out of stock, send part number ZMS4005406 instead.)
120-01-00013-01	ZMS4004691	NARROW LOWER VERTICAL SEATPOST ASSEMBLY	
120-01-00014-01	ZMS4006380	UPPER SEATPOST SLIDER ASSEMBLY V2	
120-01-00015-01	ZMS4005406	SPORT SADDLE BLACK & RED INCL. SADDLE CL	Thinner saddle. Allows shorter users to adjust the bike to the correct height. Used in production for Revision 2 (-02) bikes; retrofittable for Revision 1. Includes saddle clamp.
120-01-00016-01	ZMS4004694	NARROW SEATPOST ASSEMBLY FOR IC5 & IC7 R	
130-01-00011-02	ZMS4004667	COMPLETE UPPER BRAKE ASSEMBY FOR IC5 & I	
130-01-00012-01	ZMS4003477	UPPER BRAKE HOUSING	
130-01-00014-02	ZMS4004668	BRAKE DIAL KIT/ D 55MM FOR IC5 & IC7	
130-01-00015-01	ZMS4003476	BRAKE MOUNTING SADDLE KIT	
130-02-00009-01	ZMS4004489	Emergency brake engagement lever IC5/7	
140-01-00003-01	ZMS3000316	Tomahawk-Transport Wheel E/S Series	
140-01-00004-01	ZMS4002230	FRONT STABILIZER PROTECTION PLATE KIT, L	
140-01-00005-01	ZMS4002231	FRONT STABILIZER PROTECTION PLATE KIT, R	
140-01-00006-01	ZMS4002232	REAR STABILIZER STRETCH PLATE KIT;IC3	
140-02-00002-01	ZMS4002233	REAR STABILIZER WELDMENT;IC3	

140-02-00006-01	ZMS4004627	Front Stab Tube IC5/IC7 Wide Mount Brkt
140-03-00001-01	ZMS4002235	STABILIZER END CAP;IC3
150-01-00005-02	ZMS4005733	COMBI PEDAL SET, SPD COMPATIBLE
150-01-00016-02	ZMS4006021	PRIMARY DRIVE PLASTIC IDLER PULLEY ASSEM
150-01-00018-01	ZMS4006022	SECONDARY DRIVE PLASTIC IDLER PULLEY ASS
150-01-00021-01	ZMS4004654	BOTTOM BRACKET REPLACEMENT KIT F?R IC5 &
150-01-00022-02	ZMS4004655	CAM PULLEY 72TEETH, INCL MOUNTING BOLTS
150-01-00024-01	ZMS4003481	FLYWHEEL SHAFT KIT
150-01-00025-01	ZMS4004656	FLYWHEEL HUB ASSEMBLY FOR IC5 & IC7
150-03-00044-01	ZMS4003484	POLY V BELT, 4PK 895
150-03-00048-01	ZMS3000328	Tomahawk-Toe Strap
150-03-00053-01	ZMS4003454	RIGHT CRANK; RED
150-03-00054-01	ZMS4003455	LEFT CRANK; RED
150-03-00059-01	ZMS4006121	Updated Timing Belt 784 8MHL for Primary
160-01-00004-01	ZMS4008146	RIGHT SIDE MAIN SHROUD KIT
160-01-00006-01	ZMS4003492	LEFT MAIN COVER KIT
160-01-00007-01	ZMS4003493	MAIN TOP COVER KIT
160-01-00008-01	ZMS4003494	HANDLEBAR TOP COVER KIT
160-01-00009-01	ZMS4003495	SEATPOST TOP COVER KIT
160-01-00012-01	ZMS4003498	MX LOGO INSERT KIT LEFT
160-01-00013-01	ZMS4003497	MX LOGO INSERT KIT RIGHT
160-01-00014-01	ZMS4003496	GAS DAMPER BRACKET COVER KIT
160-09-00004-01	ZMS4003499	Decal IC5 - Left alumnimum badge for main cover
160-09-00005-01	ZMS4003500	Decal IC5 - Right alumnimum badge for main cover
170-01-00013-01	ZMS4003470	SMARTPHONE TRAY ASSEMBLY
170-02-00008-01	ZMS4004486	Reed switch for IC5 & IC7
180-01-00014-01	ZMS4004686	CLAMP BLOCK ASSEMBLY- VERTICAL HANDLEBAR ADJUSTMENT FOR IC5 & IC7
180-01-00017-01		
180-01-00017-01	ZMS4006395	ICG Gasdamper "Susba"

Replacement shroud has maintenance access under the logo piece.

180-01-00021-02	ZMS4004828	FLIP LEVER ASSEMBLY - REINFORCED LEVER-D/C, NO REPL P ZMS4004703 (reference number 190-01-00037-01).
180-01-00024-01	ZMS4004696	GASDAMPER KIT
180-01-00028-01	ZMS4004490	Reinforced flip lever assy, vert seatpost adjustment
180-01-00029-02	ZMS4004687	Reinforced flip lever for vertical handlebar adjustment

180-01-00030-01	ZMS4005418	LOCK HANDLE ASSEMBLY FOR HANDLEBAR
180-02-00005-02	ZMS4005417	LOCK HANDLE ASSEMBLY FOR SEATPOST
180-02-00011-01	ZMS4004702	FLIP LEVER - REINFORCED - HORIZONTAL ADJ
190-01-00004-01	ZMS4002240	STABILIZER MOUNTING KIT;IC3
190-01-00005-01	ZMS4005409	END CAP SET HORIZONTAL HANDLEBAR SLIDER
190-01-00008-02	ZMS4004669	LOWER EMERGENCY BRAKE ASSEMBLY FOR IC5 &
190-01-00009-01	ZMS4003515	LOWER BRAKE SPARE PART ASSEMBLY
190-01-00010-01	ZMS4003518	BOWDEN CABLE SPARE KIT - VERTICAL HANDLEBAR ADJ
190-01-00011-01	ZMS4003519	BOWDEN CABLE SPARE KIT - VERTICAL SEATPOST ADJ
190-01-00012-01	ZMS4003520	BOWDEN CABLE SPARE PART KIT FOR E-BRAKE
190-01-00013-01	ZMS4003521	BOWDEN CABLE SPARE PART KIT FOR LOWER BR
190-01-00014-01	ZMS4003482	IC7 FLYWHEEL SPARE PART ASSEMBLY
190-01-00018-01	ZMS4004079	Cover Set (5 pcs) for Stabilizer Mounting Kit
190-01-00027-01	ZMS4004688	LEVELING FEET, RUBBER 75Deg.SHORE (2 PCS
190-01-00029-01	ZMS4004075	GASDAMPER ALUM ADAPTER DRUM W/ SLOT, SP
190-01-00030-01	ZMS4004078	Main shroud bolts & grommets IC5/7
190-01-00033-01	ZMS4004081	Horizontal flip lever adjustment for IC5
190-01-00036-01	ZMS4008360	END CAP SET NARROW HORIZONTAL SEATPOST S
190-01-00037-01	ZMS4004703	FLIP LEVER CAP (5 PCS.) FOR IC5 & IC7 R
200-04-00002-01	ZMS4003913	LOWER CABLE ROUTING ADJUSTMENT TOOL IC5/
200-04-00003-01	ZMS4003914	UPPER CABLE ROUTING ADJUSTMENT TOOL IC5/
200-04-00004-01	ZMS4003915	E-BRAKE/FLYWHEEL ADJUSTMENT TOOL IC5/IC7
200-04-00005-01	ZMS4003916	GAS DAMPER ADJUSTMENT TOOL IC5/IC7
200-04-00006-01	ZMS4003917	SHROUD ALIGNMENT TOOL IC5/IC7
200-04-00007-01	ZMS4003918	MAGNETIC RESISTANCE ADJUSTMENT TOOL IC5/
320-00-00008-01	1000352006	ANT+ TRANSMITTER MOUNTING KIT FOR IC5
390-01-00001-01	ZMS4004415	ANT+ Console Membrane Set for IC2,3,5
900-00-90008-20	ZMS3000263	Tomahawk-Crank Mounting Bolts
900-06-00001-01	ZMS4003524	BALL BEARING, 6004 2z, 42mm x 20mm x 12m
900-06-00002-01	ZMS4003525	BALL BEARING, 6001 2z, 28mm x 12mm x 8mm
900-11-00003-01	ZMS4004666	BRICK MAGNET 15 x 10 x 5MM IC5/7 CAM PUL

If replacing the horizontal handlebar lever, also replace the horizontal seat lever to match.

If replacing the horizontal seat lever, also replace the horizontal handlebar lever to match.

The cap in this assembly can be ordered separately: see ZMS4004079

Used with the seatpost adjustment and handlebar adjustment levers.

The hardware in this kit can also be ordered separately: see ZMS4005526.

Not Shown	ZMS4005526	M5-0.8 x 16mm DIN 7985 Pan Head Phillips	Used to attach the transmitter to the frame (order 2).
Not Shown	ZMS4004723	IC7 Console Mount Brkt for Handlebar	
Not Shown	ZMS4006044	M5-0.8 X 20MM ISO 7380 BSHC	Used to mount the ANT+ console to the handlebars (order 2). Return for quality review. The hardware in this kit can also be ordered separately: see ZMS4006044.
320-00-00001-01	ZMD4001580	ANT+ COMPUTER, WIRELESS, INCL. BATTERIES AND MOUNT	Discontinued
110-01-00003-01	ZMS4003467	LOWER HANDLEBAR STEM ASSEMBLY	Discontinued
110-01-00013-03	ZMS4004672	HANDLEBAR MOUNTING KIT	Discontinued
120-01-00006-01	ZMS4003471	SP SLIDER ASSEMBLY	Discontinued - Group: Saddle
120-01-00006-01	ZMS4004414	Short SP Slider Asy	Discontinued - Group: Saddle
120-01-00010-01	ZMS4003466	COMFORT SADDLE BLACK/RED INCL. SADDLE CLAMP	Discontinued - Thicker cushioning, original style on Revision 1 bikes. Includes saddle clamp.
120-01-00014-01	ZMS4004692	NARROW UPPER SEATPOST SLIDER ASSEMBLY FO	Discontinued Discontinued - Thinner saddle. Allows shorter users to adjust the bike to the correct height. Used in production for Revision 2 (-02) bikes; retrofittable for Revision 1.
120-01-00015-01	ZMS4004693	2015 LESSER CUSHIONED SPORT SADDLE BLACK/RED INCL.	Includes saddle clamp.
150-01-00005-02	ZMS4004651	COMBI PEDAL SET - SPD COMPATIBLE	Discontinued
150-01-00016-02	ZMS4005416	PRIMARY DRIVE PLASTIC IDLER PULLEY ASSSE	Discontinued
150-01-00016-02	ZMS4004077	Primary Drive Idler Pulley for IC5 & IC7	Discontinued
150-01-00018-01	ZMS4005415	SECONDARY DRIVE PLASTIC IDLER PULLEY ASS	Discontinued
150-01-00018-01	ZMS4003490	SECONDARY DRIVE IDLER PULLEY ASSEMBLY	Discontinued
150-03-00059-01	ZMS4003912	TIMING BELT 784 8MHL 12 FOR PRIMARY DRIV	Discontinued
160-01-00004-01	ZMS4003491	RIGHT MAIN COVER KIT	Discontinued
180-01-00017-01	ZMS4003468	HB GASDAMPER ASSEMBLY	Discontinued
180-01-00021-02	ZMS4004695	FLIP LEVER ASSEMBLY - REINFORCED LEVER-	Discontinued - Group: Saddle Discontinued - The cap that fits into this lever is available separately: See ZMS4004703 (reference number 190-01-00037-01).
180-01-00030-01	ZMS4004674	FLIP LEVER ASSEMBLY- REINFORCED LEVER-	Discontinued - The cap that fits into this lever is available separately: See ZMS4004703 (reference number 190-01-00037-01).
180-01-00031-01	ZMS4004697	FLIP LEVER ASSEMBLY - HORIZONTAL SEATPOST ADJ. LEVER	Group: Saddle and Handlebar
180-02-00005-02	ZMS4004701	FLIP LEVER - REINFORCED - HORIZONTAL A S	Discontinued
180-02-00005-02	ZMS4004646	IC5/IC7 Reinforced Flip Lever/Seat/PPS	Discontinued
190-01-00005-01	ZMS4003511	ENDCAP SET HORIZONTAL HANDLEBAR SLIDER FOR IC5	Discontinued

190-01-00027-01

190-01-00036-01

320-00-00008-01

ZMS4003045

ZMS4004700

ZMS4004118

Rubber Feet;Myride Vx

END CAP SET NARROW HORIZONTAL SEATPOST S

ANT+ Transmitter Kit INKL Batteries-IC5

Group: Frame

Discontinued

Discontinued - The hardware in this kit can also be ordered separately: see ZMS4005526.